

ABLOY® EL460, EL461, EL560, EL561

Europrofile handle controlled locks



ABLOY® Europrofile locks can be installed with long plates or roses.

Convenience, High security, High durability - Europrofile handle controlled locks

APPLICATIONS

The locks are recommended to be used in the interior doors of business premises, public buildings, hospitals, educational premises etc. Typical applications are the doors of:

- Offices
- Meeting rooms
- Storage rooms
- Technical maintenance rooms
- Consulting rooms
- Fire doors (medium traffic)

EL560 and EL561 are used in wooden and metal doors. EL460 and EL461 are used in narrow profile doors. EL560 or EL460 with split spindle is chosen, when exit by handle is needed. EL561 or EL461 is used, when both access and exit are electrically controlled.

Handle controlled locks are best suited in medium traffic doors. The locks can be electrically controlled by access control system or by a remote control system such as timer, keypad or push button.

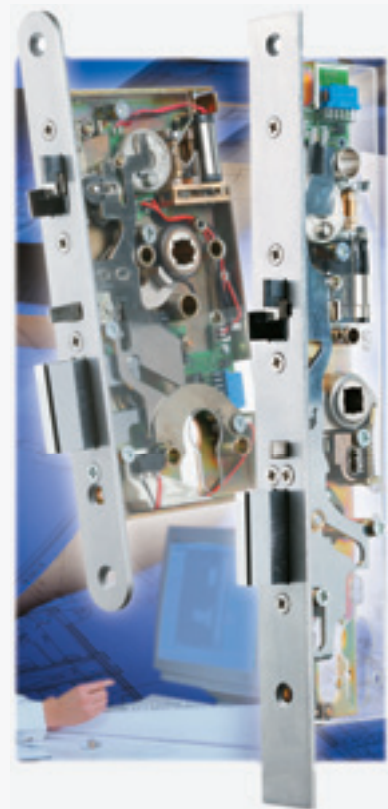
The locks can be used both in exit and fire rated doors (EN). The locks are not suitable for use with door automatics.

Also available:

- Microswitch locks
 - EL360 for wooden and metal doors
 - EL260 for narrow profile doors
- Mechanical locks
 - EL160 for wooden and metal doors
 - EL060 for narrow profile doors

Also available lock cases for Swiss cylinder (RZ):

- EL562 (split spindle), EL563 (through spindle) for wooden and metal doors
- EL462 (split spindle), EL463 (through spindle) for narrow profile doors
- EL362 microswitch lock for wooden and metal doors
- EL262 microswitch lock for narrow profile doors
- EL162 mechanical lock for wooden and metal doors
- EL062 mechanical lock for narrow profile doors



FUNCTION

Handle controlled locks can be set to function as fail locked or as fail unlocked. In the fail locked setting, the lock can be opened by controlled handle when power is on, and it can not be opened by controlled handle, when power is off. In the fail unlocked setting, the electrical function is the opposite.

ABLOY® EL560 and ABLOY® EL460

Only outside handle is electrically controlled. The lock can always be opened by inside handle. Mechanical opening by cylinder is always possible.

ABLOY® EL561 and ABLOY® EL461

Both inside and outside handles are electrically controlled. Mechanical opening by cylinder or thumbturn is always possible.

STANDARDS

EN STANDARDS

EN 179:2008	Exit
EN 1125:2008	Panic exit
EN 1634-1	Fire resistance
EN 61000-6-1:2007	EMC
EN 61000-6-3:2007	EMC
EN 12209:2004	Mechanical resistance

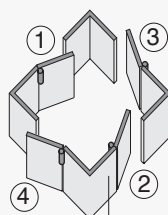
LOCAL STANDARDS

NEN 5089:1995	SKG, mechanical strength and burglary resistance
---------------	--

GOST-R

OPENING DIRECTIONS (HANDINGS)

ABLOY®	DIN
① Right inwards	Left inwards
② Left inwards	Right inwards
③ Left outwards	Left outwards
④ Right outwards	Right outwards



STANDARD DELIVERY

Lock case is delivered with opening direction 2.4.

Standard delivery includes:

- Lock case
- Fixing screws etc.
- Spindle adapters
- Lock case manual

Please specify when ordering:

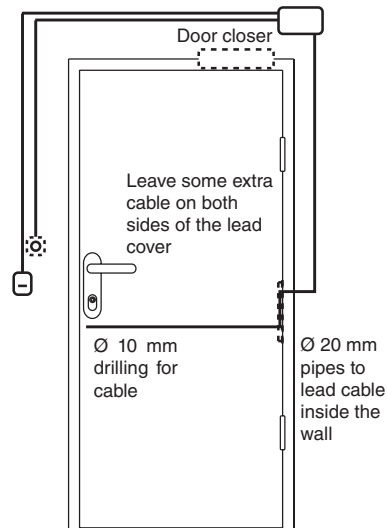
- Lock type
- Backset
- Forend
- Strike plate

TECHNICAL DETAILS

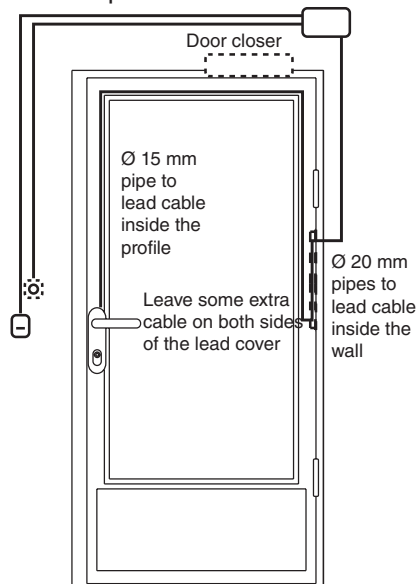
Operating voltage:	12 – 24 V DC STAB (-10%, +15%)
Current:	Max. 0.55 A (12V DC), 0.27 A (24V DC) Idle 0.24 A (12V DC), 0.11 A (24V DC)
Microswitches:	Max. 0.5 A 30 V AC/DC resist, 10 W
Operating temperature:	-20°C - +60°C
Bolt throw:	20 mm (deadbolt), 10 mm (double action bolt)
Backset:	55, 60, 65, 80, 100 mm (EL560, EL561) 30, 35, 40, 45 mm (EL460, EL461)
Forend:	20, 24 mm (EL560, EL561) 24, 28 mm (EL460, EL461)
Spindle:	9 mm (8 mm with spindle adapters)
Settable functions:	Mechanical functions: - Handing of trigger bolt - Electrically controlled side (EL560, EL460) Electrical function: - Fail locked / Fail unlocked
Monitoring outputs:	Bolt deadlocked Bolt inside the lock case Trigger bolt in Handle used Cylinder used Cable sabotage

DOOR ENVIRONMENT

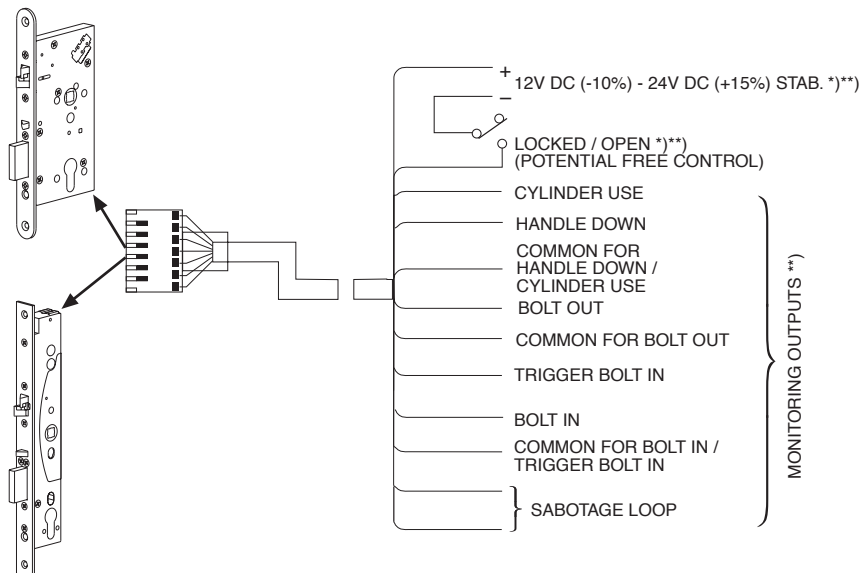
Wooden and metal doors



Narrow profile doors

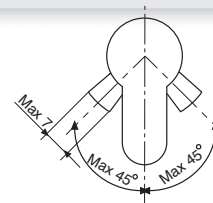


CONTROL PRINCIPLE AND AVAILABLE MONITORING OUTPUTS



*) Not microswitch or mechanical locks
**) Not mechanical locks

CAM ANGLE



CYLINDERS, FITTINGS AND ACCESSORIES (Please order separately)

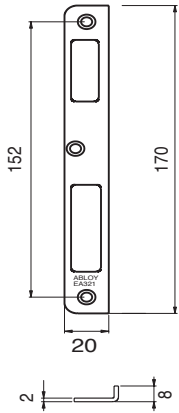
	EUROPROFILE DIN CYLINDER		FITTINGS	SPLIT SPINDLES	CABLES	LEAD COVERS	STRIKE PLATES
	ABLOY PROTEC	ABLOY DISKLOCK PRO					
Single	CY321N, CY331N	CY321D	ABLOY®*) IKON Ruko BEZAULT others	EA288 (8mm) EA289 (9mm)	EA218 (6m) EA219 (10m)	EA280 EA281	EA321**) EA322 EA323**) EA324 EA325 EA326 EA327 EA328 EA329 EA330 EA331 EA332**)
Double	CY322N, CY332N	CY322D					
Single with thumbturn	CY323N, CY333N	CY323D					

*) For further information, please contact Abloy Oy Tampere factory.

**) Handing must be defined.

STRIKE PLATES

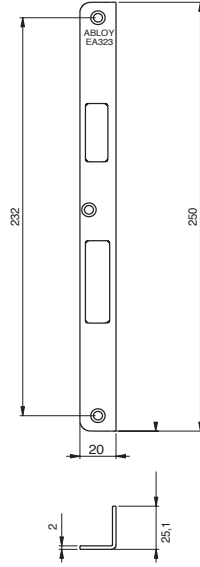
EA321**)



EA322



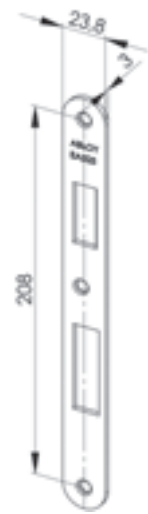
EA323**)



EA324



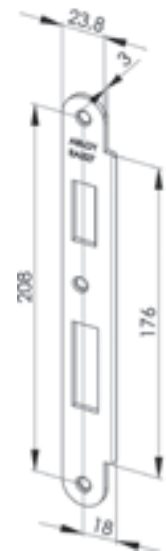
EA325



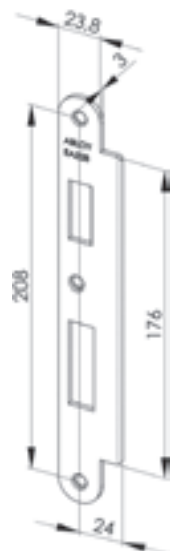
EA326



EA327



EA328



EA329



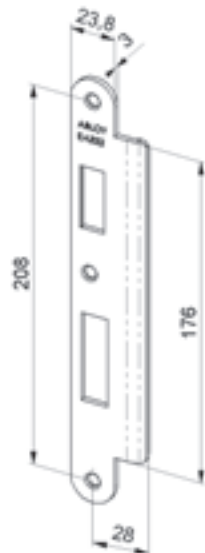
EA330



EA331



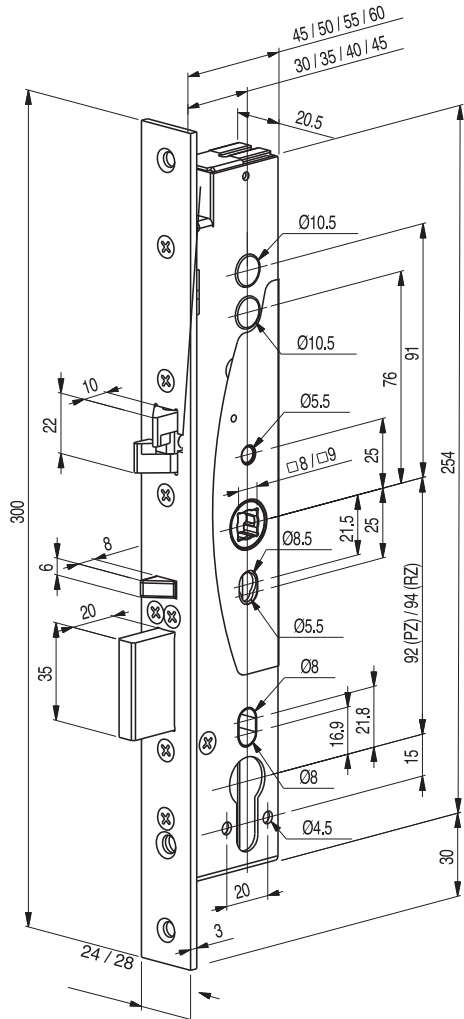
EA332**)



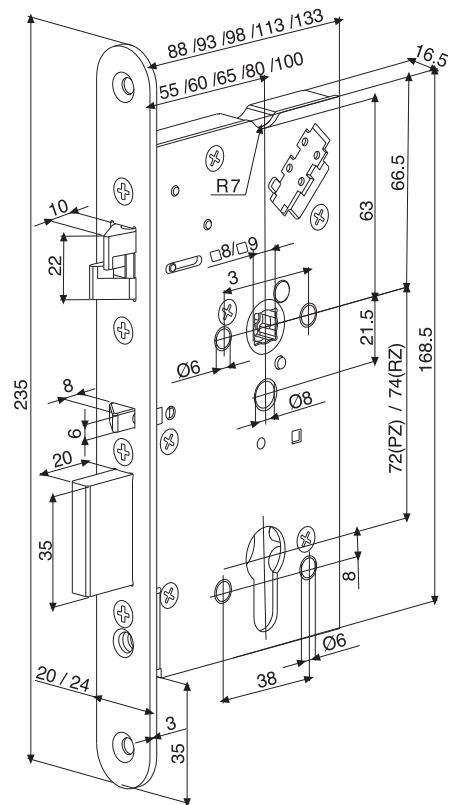
**) Handing must be defined

DIMENSIONS

ABLOY® EL460, EL461



ABLOY® EL560, EL561



EMERGENCY EXIT DEVICES ACCORDING TO EN 179

The following locks and handles are approved to be installed together in an emergency exit door to conform EN 179.

Profile door locks	ABLOY® DO 20.33.01 DO 20.33.02	IKON DO 20.15.02	FSB DO 20.03.01, DO 20.03.02	HEWI DO 20.13.01, DO 20.13.02	SAPEX DO 20.32.01 DO 20.32.02
EL460	e.g. ABLOY® INOXI 3-19/013 PZ+BL	e.g. S6B3, S6B6	1016, 1023, 1056, 1070, 1080, 1088, 1090, 1117, 1118, 1119, 1137, 1146, 1155, 1160, 1161, 1162, 1177, 1178, 1191, 0612, 0616, 0617, 0619, 0625, 0627, 0628, 0646, 0662, 0665, 0680, 0681, 0682, 0688	111, 111.23, 114.23GK, 131, 132, 111X, 113X, 114X, 161X, 163X, 171X, 112X, 165X, 166X	e.g. 60-00819
EL260 EL060	ABLOY® INOXI 3-19/013/120 PZ+BL	e.g. S6B8			SAPEX DO 20.32.01 DO 20.32.02
Wooden and metal door locks	ABLOY® DO 20.33.01 DO 20.33.02	IKON DO 20.15.02			
EL560	e.g. ABLOY® INOXI 3-19/012 PZ+BL	e.g. S326, S426, S4K3			e.g. 60-0419, 60-0319
EL360 EL160	ABLOY® INOXI 3-19/012/120 PZ+BL	e.g. S4K6			

The safety features of this product are essential to its compliance with EN 179. No modification of any kind, other than those described in the installation manual, are permitted.

PANIC EXIT DEVICES INSTALLATION ACCORDING TO EN 1125

The following locks and push bars are approved to be installed together in a panic exit door to conform EN 1125.

The push bars can be installed for example with above mentioned outside fittings (Table EN 179) to conform EN 1125.

Profile door locks	effeff DO 30.04	JPM DO 30.05	TESA DO 30.06	HEWI DO 30.10
EL460, EL260, EL060	8000-00-1100 (-), 8000-10-1100 (PZ)	NORMA 990000-XX-0A 990100-XX-0A 990001-XX-0A 990101-XX-0A 991000-XX-0A 991100-XX-0A 991001-XX-0A 991101-XX-0A	UNIVERSAL SERIE 19709G9xx	HEWI PS 160XA 40°
EL462, EL262, EL062	8000-00-1100 (-), 8000-11-1100 (RZ)			
Wooden and metal door locks	effeff DO 30.04			
EL560, EL360, EL160	8000-00-1100 (-), 8000-20-1100 (PZ)			
EL562, EL362, EL162	8000-00-1100 (-), 8000-21-1100 (RZ)			

The safety features of this product are essential to its compliance with EN 1125. No modification of any kind, other than those described in the installation manual, are permitted.

EN179 and EN1125 standards are conformed, when the above mentioned lock is installed with **ABLOY®** strike plates listed in this brochure.

This document may not be used in the installation of a lock. Drilling and wiring diagrams and installation instructions are included in the installation manual, which is included in each lock case package.

We reserve the right to make alterations to the products described in this leaflet.



www.abloy.com

Abloy Oy
Wahlforssinkatu 20
P.O.Box 108
FI-80101 JOENSUU
FINLAND
Tel. +358 20 599 2501
Fax +358 20 599 2209

