

# ABLOY® EL580 NEW SCANDINAVIAN RANGE SOLENOID LOCK WITH HANDLE CONTROL



## TECHNICAL DETAILS

Operating voltage 12 - 24 V DC (-10%/+15%)

### Current

- max. 0.55A (12V DC), 0.27A (24V DC)

- idle 0.24A (12V DC), 0.11A (24V DC)

Temperature range -20 - +60°C

Bolt throw 14 or 20 mm

Backset 50, 70 mm

Forend 22 mm

Spindle 8 mm

## FINISH

Chrome plated forend

## PACKAGE

Lock case, connection plugs, fixing screws, split spindle (EL580), drilling, fitting and wiring instructions

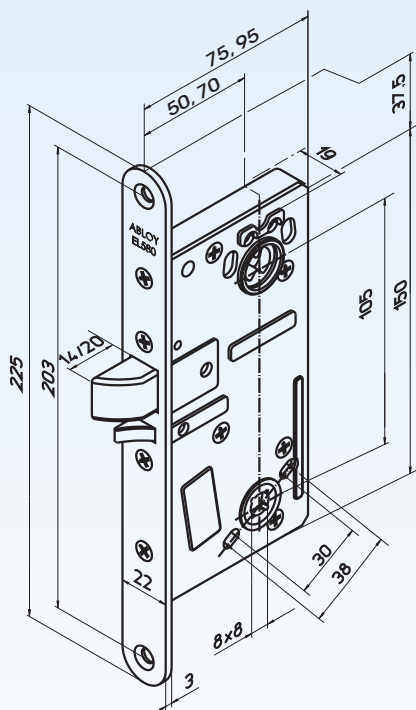
## CYLINDERS

- Scandinavian oval and round cylinders;

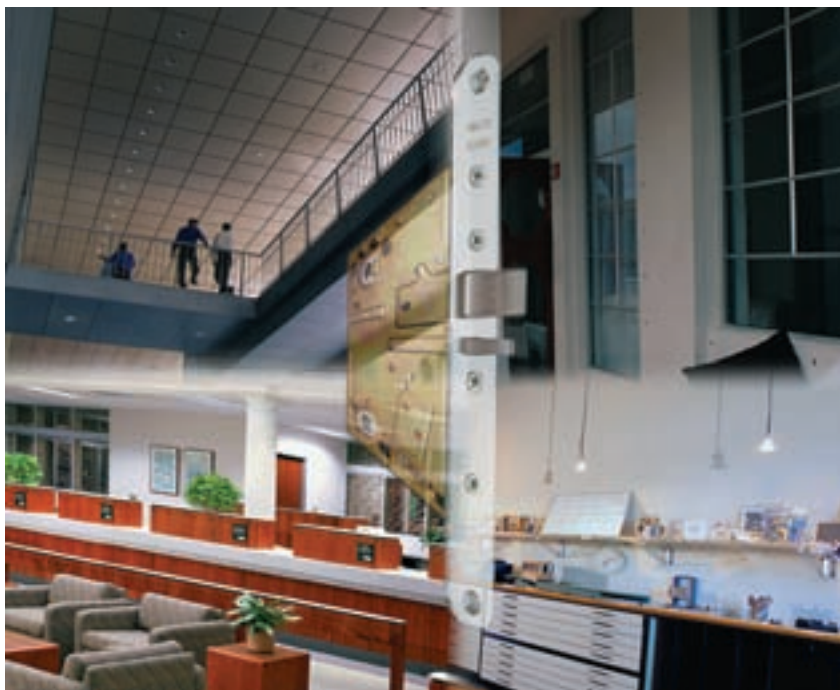
**ABLOY® DISKLOCK PRO, ABLOY® PROTEC, ASSA, RUKO, TrioVing** or other

- Finnish type cylinders **ABLOY® PROTEC, ABLOY® DISKLOCK PRO, ABLOY® CLASSIC**

## DIMENSIONS



## ELECTRIC LOCKS ABLOY® EL580 AND EL582 WITH HANDLE CONTROL



## FEATURES

**ABLOY® EL580** and **EL582** provide alteration of various functions with ease in one lock case - all having total hand control

- interchangeable handing
- changeable function of handle control
- configurable fail locked or fail unlocked
- deadlocked only when the door is closed (20mm bolt throw)
- low current feature while continuous control
- 12-24VDC operating voltage
- configuration of deadbolt either 14 or 20mm throw
- increased protection against manipulation

## APPLICATIONS

**ABLOY® EL580** and **EL582** are recommended to be used in the interior doors of business premises, public buildings, hospitals, educational premises etc. Typical applications are the doors of

- offices
- storage rooms
- technical maintenance rooms
- consulting rooms
- fire doors (medium traffic)

The locks are suitable to be used also in the exterior doors of residential buildings. They are best suited in medium traffic doors, and can also be used in fire rated doors (EN). The locks are not suitable to be used with door automatics.

EL580 is suitable for use in exit doors as the inside handle is free for egress at all times.

The locks are always automatically deadlocked when the door is closed.

The locks can be controlled by a variety of electrical impulse generating equipment, i.e. card reader, keypad and timer.

## FUNCTION

Handle controlled locks can be set to function as fail locked or as fail unlocked. In the fail locked setting, the lock can be opened by handle when power is on, and cannot be opened by handle when power is off. In the fail unlocked setting, the electrical function is reversed. The locks are always automatically deadlocked when the door is closed. False triggering is not possible, but the lock deadlocks only when the door is closed (20 mm bolt throw).

In **ABLOY® EL580** the outside handle is electrically controlled. The lock can always be opened by inside handle. In order to function correctly, the handle requires a split spindle. Mechanical opening by cylinder is always possible.

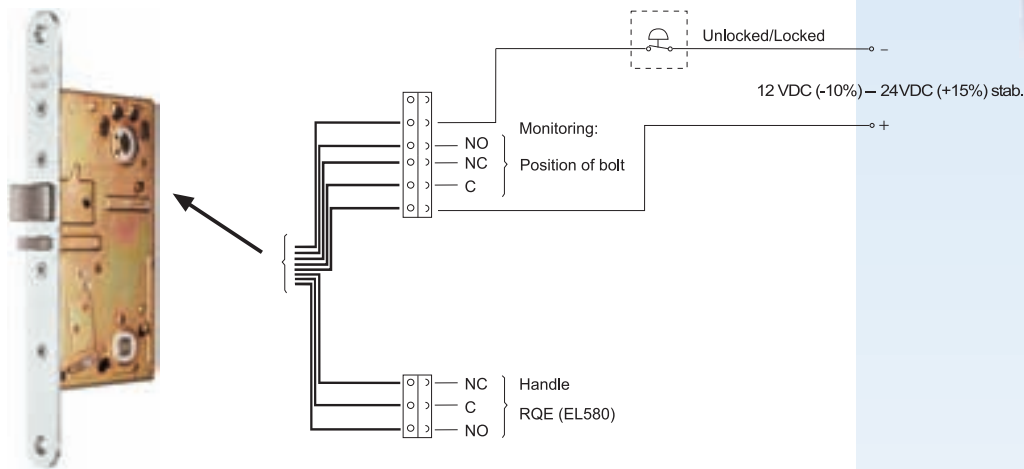
In **ABLOY® EL582** both inside and outside handles are electrically controlled. Mechanical opening by cylinder or thumbturn is always possible.

## MONITORING

The locks are equipped with the following monitoring outputs:

- position of bolt
- handle down
- request to exit, RQE (EL580)

## WIRING PRINCIPLE



## COMPATIBILITY CHART FOR CYLINDERS, FITTINGS AND ACCESSORIES

CYLINDERS AND FITTINGS				ACCESSORIES (Please order separately)				
		ABLOY® CLASSIC	ABLOY® DISKLOCK PRO (D) ABLOY® PROTEC (N)		Handle	Strike	Cable	Strike
		Cylinder/fittings	Cylinder/fittings					
EL580	Single w/ plate	CY037C	CY037D, N (F)	CY201D, N (SO)/-	See ABLOY Architectural Hardware brochures.  It is recommended to use handles with return springs on both sides of the door.	Flush door: LP712 LP717 4630  Rebated door: LP732 LP722 4631	EA210 (6m) EA220 (10m)	EA280 EA281
EL582	Single w/ thumbturn	CY001C CY028C*)	CY001D, N (F) CY028D, N	CY201D,N (SO) /- CY028D, N				
	Double	CY002C CY029C	CY002D, N (F) CY029D, N (F)	CY205D, N (SR) CY202D, N (SO)				

\*) compatible with emergency exit dome 6488

SO = Scandinavian oval, F= Finnish,  
SR = Scandinavian round



## ABLOY® – the sign for security



The quality and environmental systems used by Abloy Oy guarantee that customers can be certain of **ABLOY®** quality in every field. We received our first Quality System Certificate - SFS-EN ISO 9001 - in 1989. Just eight years later, Abloy Oy was one of the first companies in Finland to be granted an SFS-EN-ISO 14001 Environmental System Certificate.

Our products are designed and manufactured not only to provide high levels of security, but also to be reliable, user-friendly and aesthetically pleasing. **ABLOY®** is your sign for security.



**ABLOY®** is a registered trademark of Abloy Oy, one of the leading manufacturers of locks, locking systems and architectural hardware and the world's leading developer of products in the field of electromechanical lock technology.

The unique **ABLOY®** detainer disc cylinder mechanism has several advantages over conventional locking mechanisms. Ever since its invention in 1907, it has been a symbol of high security and superior performance.

Our range consists of electromechanical locks, cam locks, padlocks, office furniture locks, rim locks, lock cases, cylinders for different types of mortice locks, door closers, door automatics and architectural hardware. **ABLOY®** locking solutions for every application are available from our world-wide network of distributors.

Customer-oriented development, combined with our long experience and extensive security expertise, mean that **ABLOY®** security solutions employ the very latest technology to meet your needs.



[www.abloy.com](http://www.abloy.com)

Abloy Oy  
Wahlforssinkatu 20  
P.O.Box 108  
FI-80101 JOENSUU  
FINLAND  
Tel. +358 20 599 2501  
Fax +358 20 599 2209

