

ABLOY[®] EL554 FAST SCANDINAVIAN RANGE MOTOR LOCK FOR WOODEN DOORS

High security with immediate access



ABLOY[®] EL554 is a fast motor lock with dead bolt and handle-operated mechanical anti-friction latch bolt for wooden and steel doors.

TECHNICAL DETAILS

Operating voltage	12-24 VDC ($\pm 15\%$) 12-18 VAC (-10%/+15%, RMS)
Current	
12VDC	70 mA idle 200 mA motor drive 300 mA max.
24 VDC	35 mA idle 100 mA motor drive 150 mA max.
Adjustable delay	2...15 sec
Temperature range	-20°C...+60°C
Bolt throw	14 mm latch bolt 20 mm dead bolt
Backset	50 mm
Forend	22 mm
Spindle	8 mm

FINISH

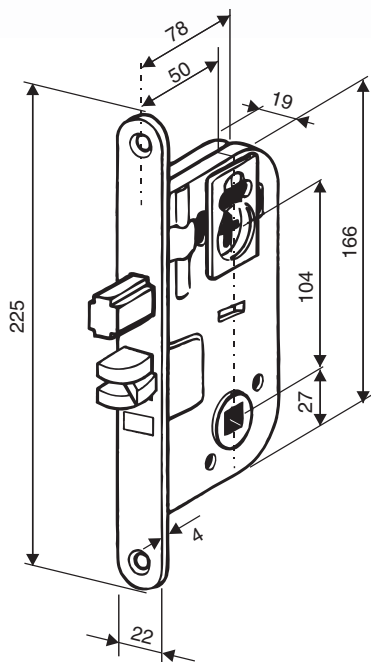
Chrome plated forend.

CYLINDERS

Scandinavian oval and round cylinders;
ABLOY® DISKLOCK PRO, **ABLOY® PROTEC**
 ASSA, RUKO, TrioVing or other.
 EL557 Finnish type cylinders;
ABLOY® CLASSIC, **ABLOY® DISKLOCK PRO**
 or **ABLOY® PROTEC**.

DIMENSIONS

Lock case dimensions conform to SS 81 73 83.



FEATURES

- fast opening, strong against seal forces
- configurable fail locked or fail unlocked in the case of power failure, requires a backup card in the control unit (available as an accessory)
- multivoltage AC/DC -operation
- burglary resistance according to Swedish standard class 3

APPLICATION

EL554 is a high security lock for exterior doors and emergency exits that are unlocked in day time and electrically locked in night time. Suitable applications are e.g. doors of commercial buildings, schools, universities and industrial premises. The locks can be controlled by a variety of electrical impulse generating equipment, i.e. card reader, keypad or timer.
 Also available: EL555 with dead bolt only (used as auxiliary lock only)
 EL557 - same as EL555 but with Finnish type cylinder

FUNCTION

EL554 includes two bolts; fast motorized dead bolt and handle-operated anti-friction latch bolt. The dead bolt is withdrawn and thrown by motor.

CONTROL SWITCH

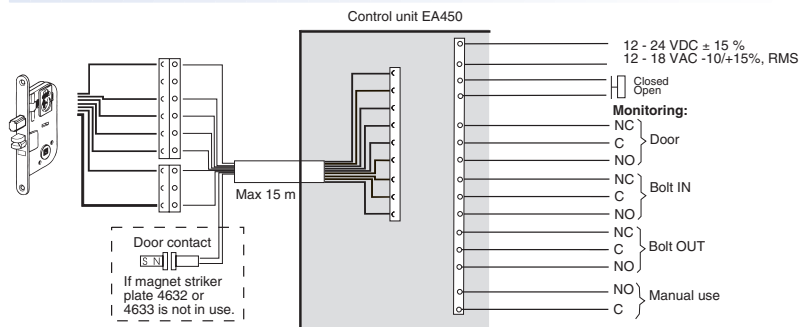
Momentary: bolt is thrown automatically after an adjusted delay of 2...15 seconds.
 Continuous: bolt is retained inside lock case as long as control circuit is closed.

Lock case is equipped with an integral door contact, which prevents the bolt from being thrown before the door is closed. Lock incorporates a control unit, which gives impulse for bolt to be thrown after delay or use of key. Lock is used with striker plate 4632 which is equipped with door contact.

MONITORING

- Bolt in
- Bolt out
- Manual use
- Door position

WIRING DIAGRAM



CYLINDERS

D = **ABLOY® DISKLOCK PRO**, N = **ABLOY® PROTEC**

EL554, EL555	Single w/thumbturn	CY201D, N CY204D, N	Scandinavian oval Scandinavian round
EL554, EL555	Double	CY202D, N CY205D, N	Scandinavian oval Scandinavian round
EL557	Single w/thumbturn	CY001D, N	Finnish
EL557	Double	CY002D, N	Finnish

ACCESSORIES (Please order separately)

Lead cover	EA280 or EA281
Cable	EA214 (6 m) or EA224 (10 m)
Alternative strike	4632 or 4633
Backup card	952169

This document may not be used in the installation of a lock. Drilling and wiring diagrams and installation instructions are included in the installation manual, which is included in each lock case package.

We reserve the right to make alterations to the products described in this leaflet.



www.abloy.com

Abloy Oy
 Wahlforssinkatu 20
 P.O.Box 108
 FI-80101 JOENSUU
 FINLAND
 Tel. +358 20 599 2501
 Fax +358 20 599 2209

